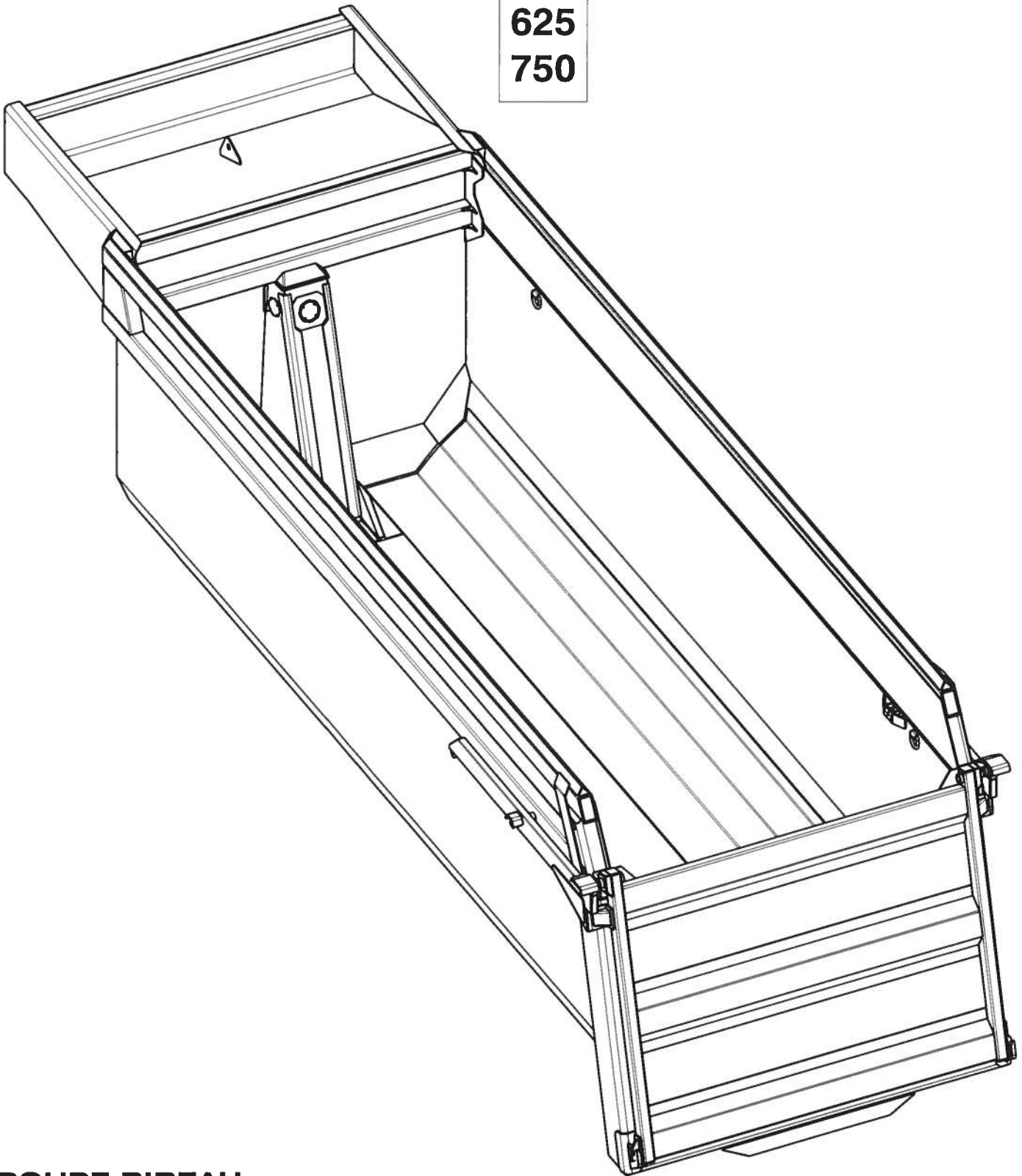


BME 500 3442
625
750



GROUPE BIBEAU

4581, Castle d'Autray
St-Félix-de-Valois, Québec
Canada, JOK 2M0

E-mail: info@groupebibeau.com
Tel.: 450.889.5505
Fax: 450.889.8166



TABLE OF CONTENTS

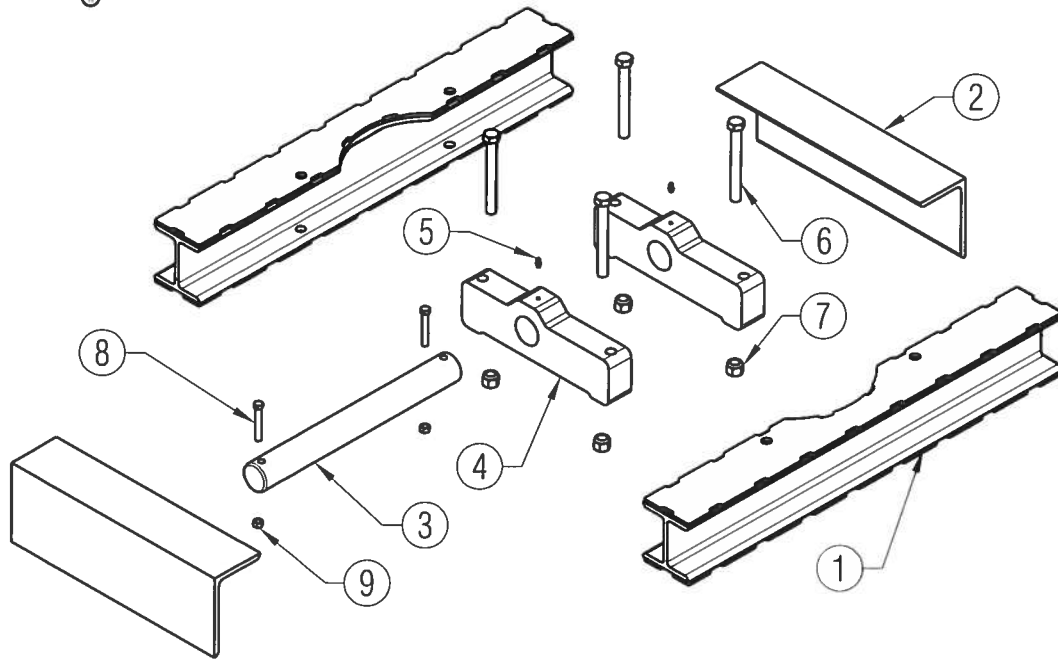
| | Page |
|----------------------------|------|
| MODEL SPECIFICATIONS | 3 |
| CYLINDER BASE | 4 |
| CYLINDER ATTACHMENT | 5 |
| BODY HINGE | 6 |
| AUTOMATIC DOOR OPENING BME | 7 |

BIBEAU BME:

- ELLIPTICAL CONFIGURATION
- LENGTH: 25'-0"
- SIDE HEIGHT: 76" - 94"
- OUTSIDE WIDTH AT REAR POSTS: 110"
- AUTOMATIC DOOR OPENING
- PIN-TO-PIN CYLINDER MOUNTING
- VOLUME: 34 yd³ AT 76" ; 42yd³ AT 94"

| | BME 500 | BME 625 | BME 750 |
|--------------------|----------------|----------------|----------------|
| FRONT | 1/4" - AR450 | 1/4" - AR450 | 3/8" - AR450 |
| FLOOR | 3/8" - AR450 | 3/8" - AR450 | 3/8" - AR450 |
| SIDES | 1/4" - AR450 | 1/4" - AR450 | 3/8" - AR450 |
| DOOR | 1/4" - AR450 | 1/4" - AR450 | 3/8" - AR450 |
| FLOOR LINER | 1/4" - AR450 | 3/8" - AR450 | 3/8" - AR450 |

9" PIN TO PIN CYLINDER BASE

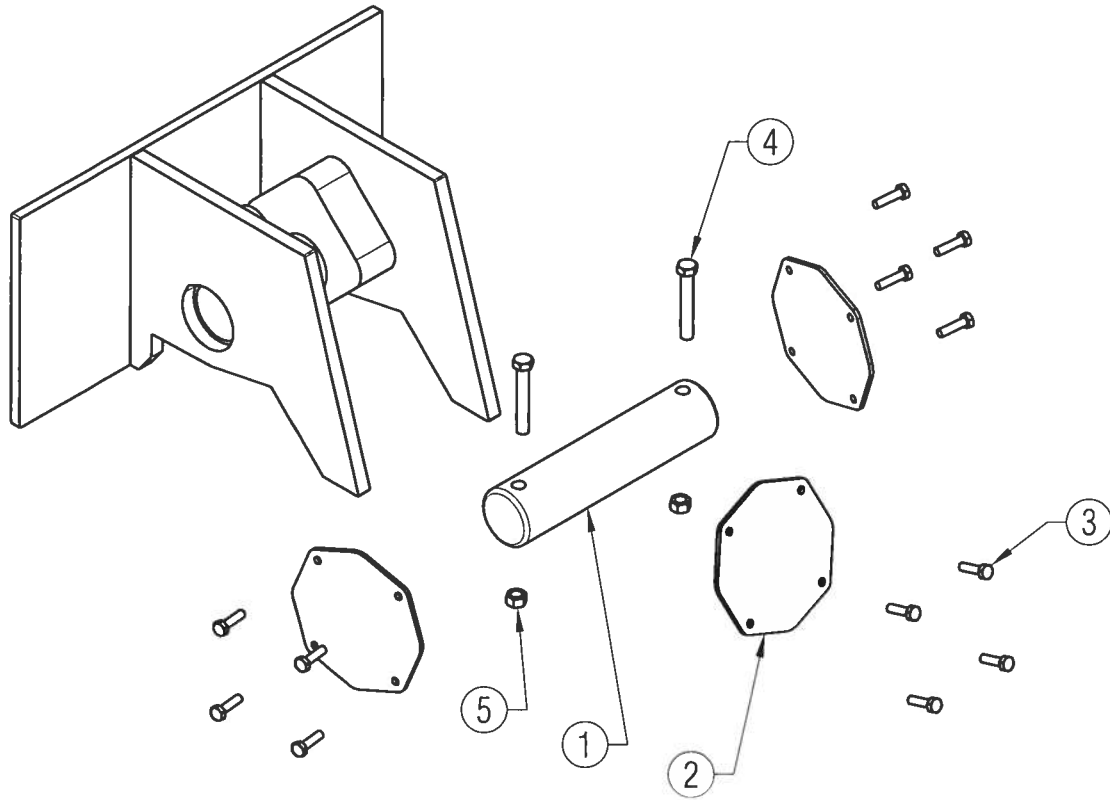


WARNING: THE BASE BEAMS MUST NOT BE DEFORMED BY TIGHTENING THEM AROUND THE BASE BLOCKS (#4.)

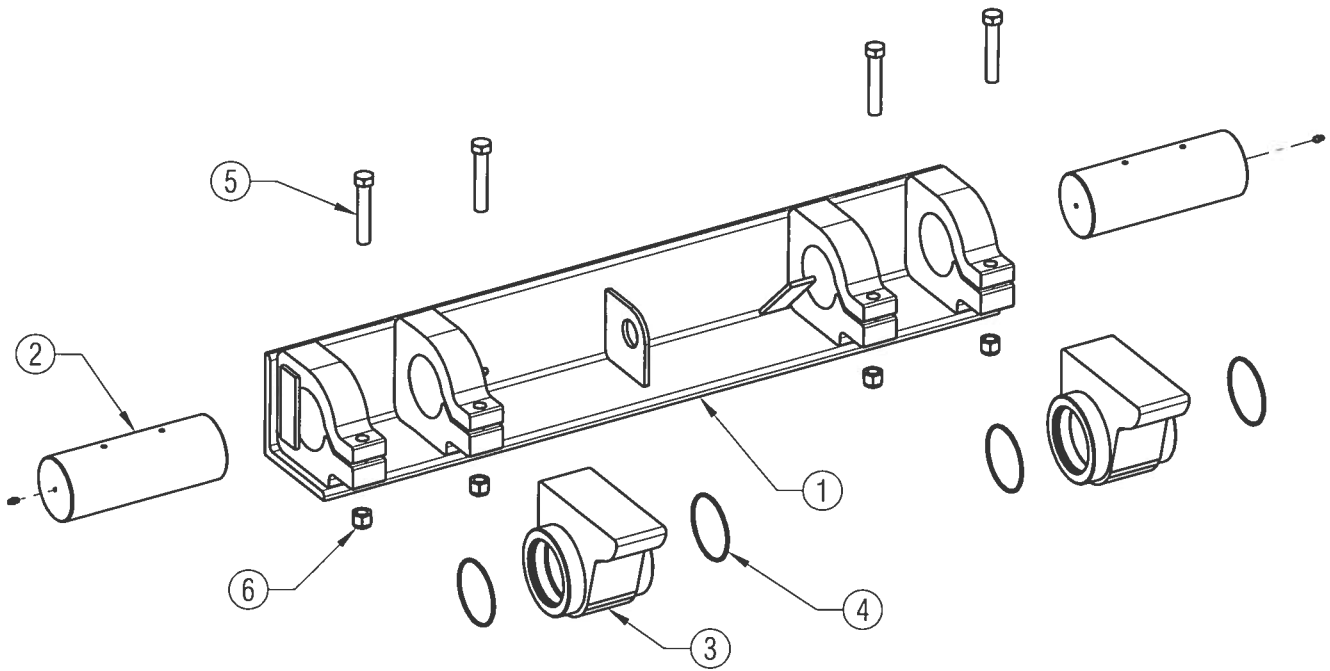
NOTE: THE BOLTS AREN'T TO TIGHTEN THE BLOCKS IN PLACE BUT ONLY TO HOLD THEM IN POSITION. THE BLOCKS ARE DESIGNED TO MOVE INSIDE THE BASE BEAMS.

| # | DESCRIPTION | PART # | Qty PER UNIT |
|---|--------------------------------|-------------|--------------|
| 1 | BASE BEAM | BMEBVPP9-A1 | 2 |
| 2 | BASE SUPPORTS | BMEBVPP9-03 | 2 |
| 3 | Ø 2" PIVOT PIN | BMEBVPP9-07 | 1 |
| 4 | BASE BLOCK | BMEBVPP-01 | 2 |
| 5 | GREASE FITTINGS 1/4-28 x 90° | Q020 | 2 |
| 6 | BOLTS 5/8-18 x 5-1/2 GR5 PLQ | B507 | 4 |
| 7 | NYLON LOCK NUTS 5/8-18 GR2 PLQ | E506 | 4 |
| 8 | BOLT 3/8-16 x 2-1/2 GR5 PLQ | B308 | 2 |
| 9 | NYLON LOCK NUTS 3/8-16 GR2 PLQ | E302 | 2 |

UPPER CYLINDER MOUNT

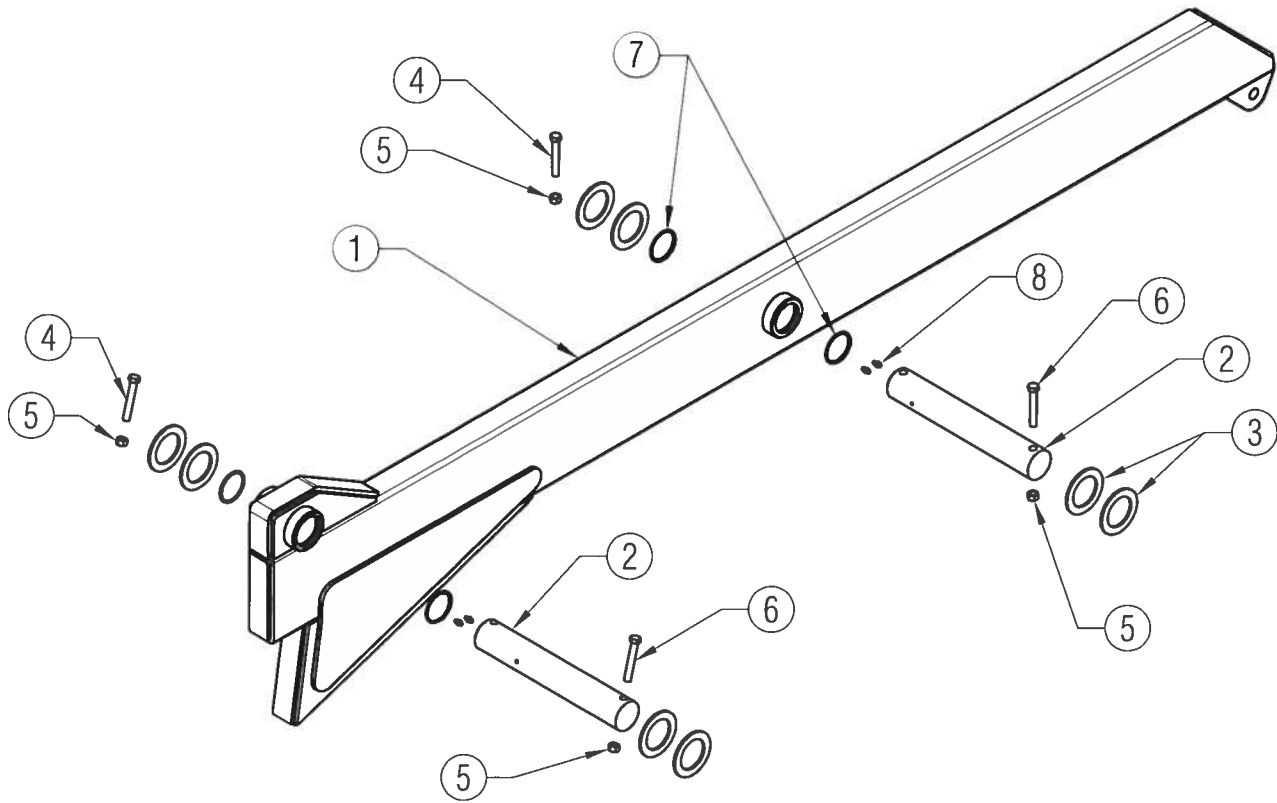


| # | DESCRIPTION | PART # | Qty PER UNIT |
|---|--------------------------------|----------|-----------------|
| 1 | UPPER CYLINDER PIN | BDPP-33D | 1 |
| 2 | DOGHOUSE CAP | BDPP-33B | 3 |
| 3 | BOLT 1/4-28 x 1 SS | B203 | 12 |
| 4 | BOLT 3/8-16 x 2-1/2 GR.5 PLQ | B308 | 2 |
| 5 | NYLON LOCK NUT 3/8-16 GR.2 PLQ | E302 | 2 |



| # | DESCRIPTION | PARTS # | Qty PER UNIT |
|---|--------------------------------|--------------|-----------------|
| 1 | BODY HINGE FIXED PART | BMEPBM90T-A1 | 1 |
| 2 | Ø 3-1/2" PIVOT PIN | BMEPBM90T-03 | 2 |
| 3 | BODY HINGE MOBILE PART | BMEPBM90T-04 | 2 |
| 4 | O-RING Ø 3-1/2 x 1/8 | BMEPBM90TJT | 4 |
| 5 | BOLT 5/8-18 x 3-1/2 PLQ GR.5 | B506 | 4 |
| 6 | NYLON LOCK NUT 5/8-18 PLQ GR.2 | E506 | 4 |

AUTOMATIC DOOR OPENING



| # | DESCRIPTION | PART # | Qty PER UNIT |
|---|---|-----------------|-----------------|
| 1 | AUTOMATIC DOOR LEVER ARM 2" x 6" x 3/8" | BMEPAUT-01 | 2 |
| 2 | ARM PIVOT PIN Ø 1-7/8 x 11-9/16 | BMEPAUT-04 | 4 |
| 3 | WASHER int. Ø 1-15/16, ext. Ø 2-7/8 x 1/8 | BMEPAUT-07 | 16 |
| 4 | BOLT 3/8-16 x 2-1/2, PLQ, GR.5 | B308 | 4 |
| 5 | NUT 3/8-16, PLQ, GR.2 | E301 | 4 |
| 6 | BOLT 3/8-16 x 3, PLQ, GR.5 | BOLT 3/8-16 x 3 | 4 |
| 7 | O-RING 1-7/8 x 1/8 | J002 | 8 |
| 8 | GREASE FITTING 1/4-28 | Q009 | 8 |