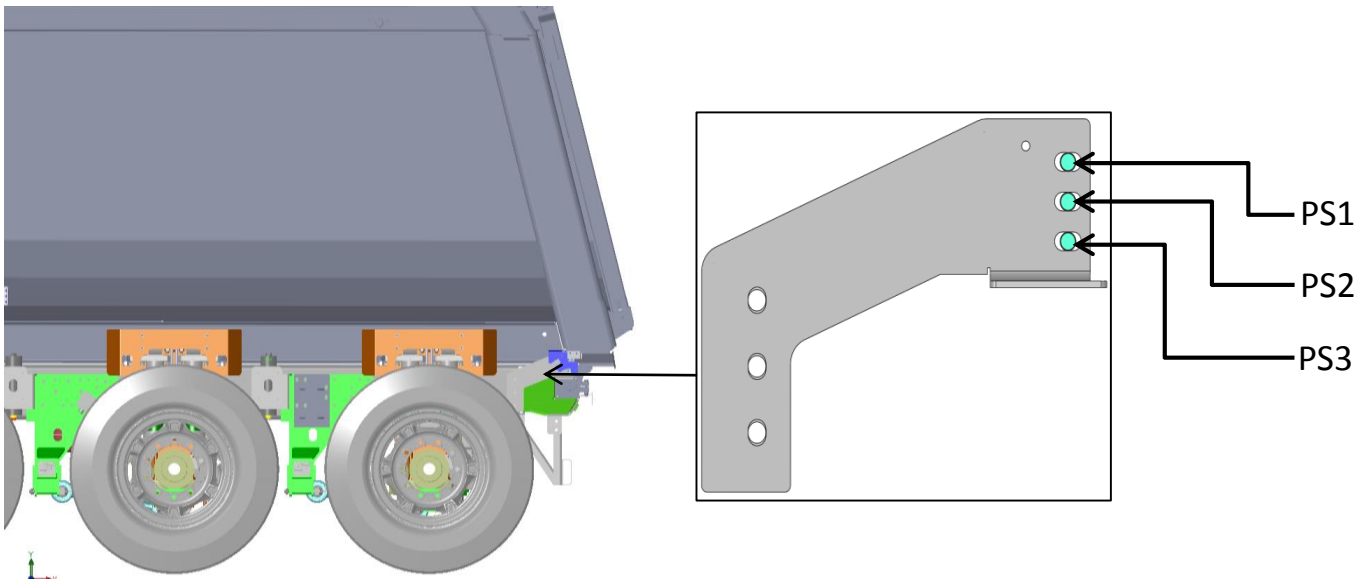


1.1. Proximity sensors identification

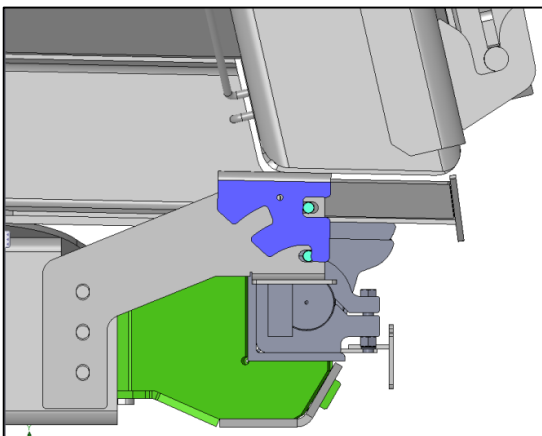


Definition of the sensors

- PS1 : Activation sensor of the second speed. It is ON between 2.5° and 2.8° and OFF between 27.5° and 28°.
- PS2 : Sensor of cylinder limit switch. It is ON until to the limit switch (between 45° and 45.8°).
- PS3 : Deactivation sensor of VSE system. It is OFF as soon as the dump body is lifted (between 1° and 1.6°)

Sensors reaction depending on dump body position

1.2. Step 1



Level 0 : Dump body in horizontal position

- PS1 = 0
- PS2 = 1
- PS3 = 1

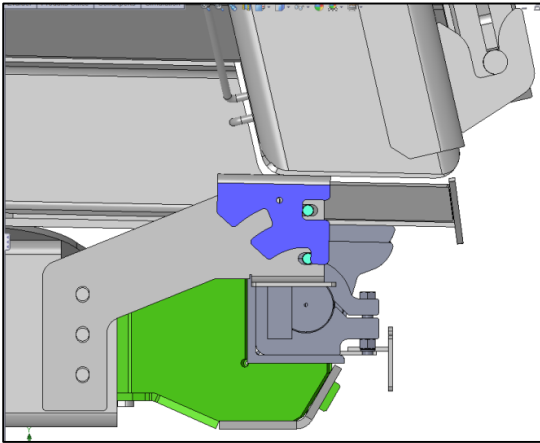
Level 1 : As soon as the dump body is lifted (between 1° and 1.6°)

- PS1 = 0
- PS2 = 1
- PS3 = 0



Adjust PS3 to turn it off between 1° and 1.6° in order to deactivate VSE system.

Step 2



Level 2 : Dump body (between 2.5° and 2.8°)

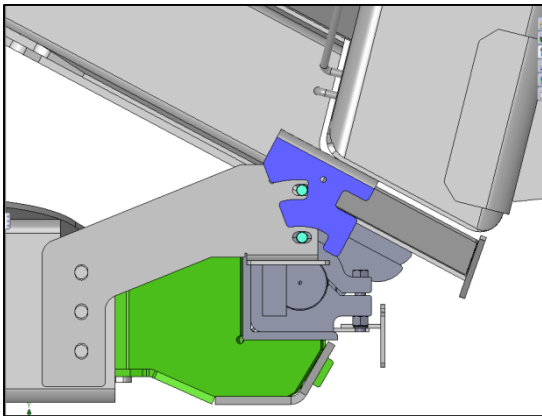
Cylinder length ~ 73.75 po

- PS1 = 1
- PS2 = 1
- PS3 = 0



Ajust PS1 to turn it ON between 2.5° and 2.8°.

1.3. Step 3



Level 3 : Dump body (between 27.5° and 28°)

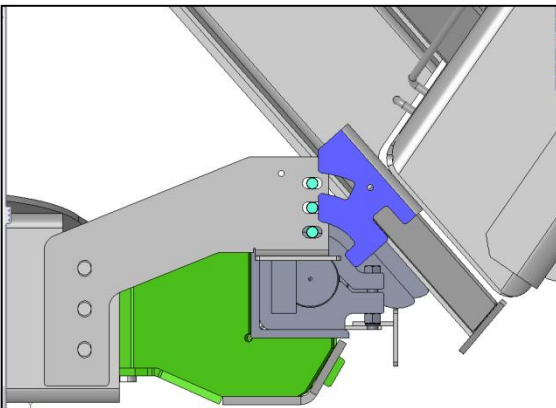
Cylinder length ~ 205 po

- PS1 = 0
- PS2 = 1
- PS3 = 0



Ajust PS1 to turn it OFF at the third level of the cylinder (between 27.5° and 28°).

1.4. Step 4



Level 4 : Dump body (between 45° and 45.8°)

Cylinder length ~ 278 po

- PS1 = 0
- PS2 = 0
- PS3 = 0



Ajust PS2 to turn it OFF between 45° and 45.8°.